

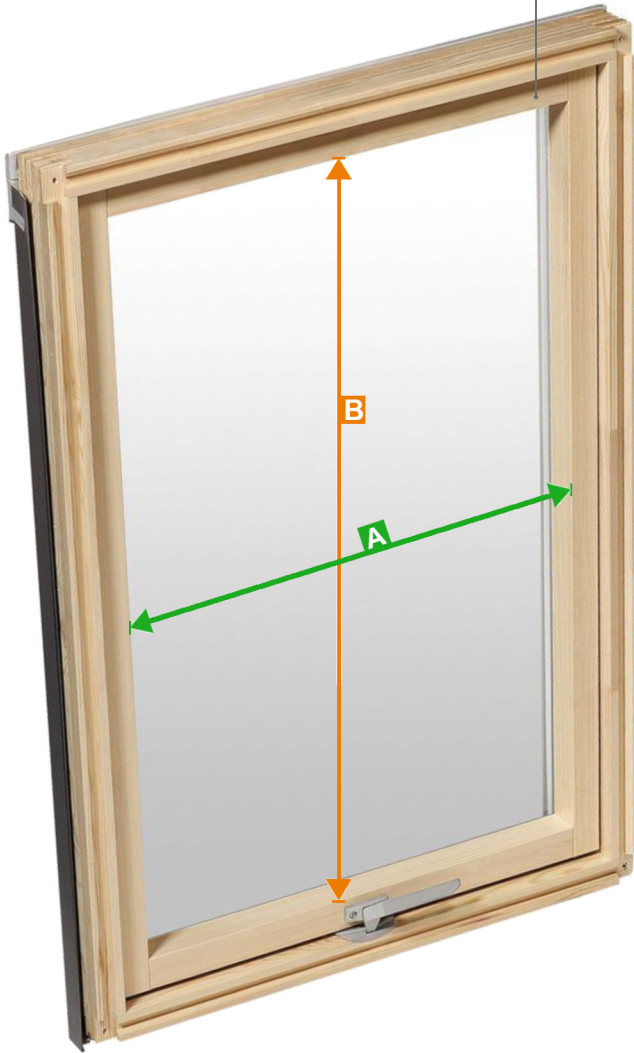


**PTP-V U3 78/118**

**FAKRO**

www.fakro.com

**871706 6173 01 5330**



**A** - Szerokość plisy dachowej  
Width of roof pleat

**B** - Wysokość plisy dachowej  
Height of roof pleat

**PL**  
**Pomiar Plisy dachowej CREATI**  
Wymiary plisy okna dachowego sczytujemy z tabliczki znamionowej i podany wymiar porównujemy z naszą tabelą

**A- szerokość plisy**

Szerokość plisy mierzona jest od kantu okna

**B- wysokość plisy**

Wysokość plisy mierzona jest kantu okna

**EN**  
**Measurement of the Roof Pleat CREATI**

Read the dimensions of the roof window pleat from the nameplate and compare the given dimension with our table

**A- wight of roof pleat**

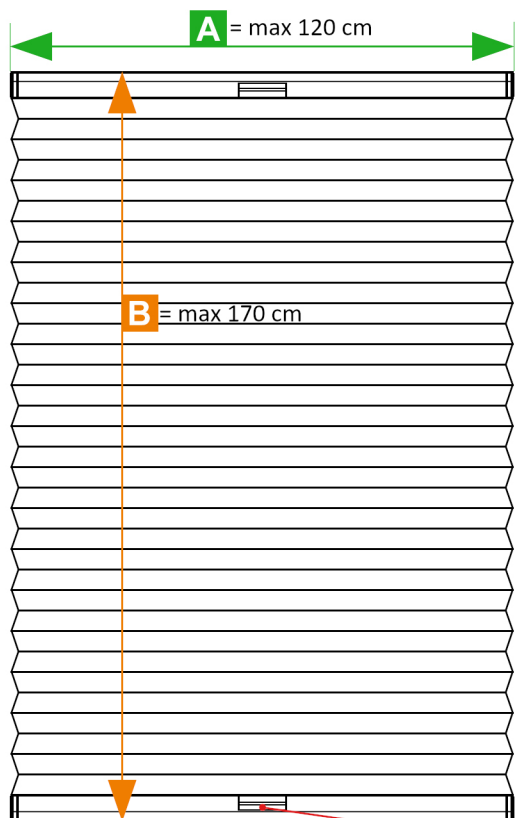
Pleat width is measured from the edge of the window

**B- height of roof pleat**

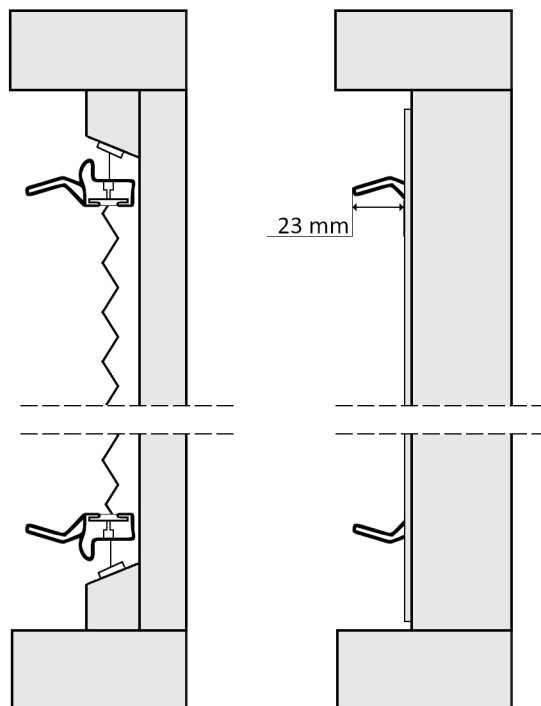
Pleat height is measured from the edge of the window

FAKRO 102°			VELUX 96°		
Typ	Wymiary		Typ	Wymiary	
	A	B		A	B
55 x 78	38.8	61.0	(102)	39.7	57.5
55 x 80	38.8	63.0	(104)	39.7	77.5
55 x 98	38.8	81.0	(204)	50.7	77.5
55 x 100	38.8	83.0	(206)	50.7	97.5
66 x 98	49.8	81.0	C02	38.3	54.0
66 x 100	49.8	83.0	C04	38.3	74.0
66 x 118	49.8	101.0	C06	38.3	94.0
66 x 120	49.8	103.0	CK 02	38.3	59.5
66 x 140	49.8	123.0	CK 04	38.3	79.5
78 x 98	61.8	81.0	CK 06	38.3	99.5
78 x 100	61.8	83.0	F04	49.3	74.0
78 x 118	61.8	101.0	F06	49.3	94.0
78 x 120	61.8	103.0	F08	49.3	116.0
78 x 140	61.8	123.0	FK04	49.3	79.5
78 x 160	61.8	143.0	FK06	49.3	99.5
78 x 180	61.8	163.0	FK08	49.3	121.5
94 x 118	77.8	101.0	M04 (304)	61.3	74.0
94 x 120	77.8	103.0	M06 (306)	61.3	94.0
94 x 140	77.8	123.0	M08 (308)	61.3	116.0
94 x 160	77.8	143.0	M10 (310)	61.3	136.2
94 x 180	77.8	163.0	MK04	61.3	79.5
114 x 118	97.8	101.0	MK06	61.3	99.5
114 x 120	98.0	103.0	MK08	61.3	121.5
114 x 140	97.8	123.0	MK10	61.3	141.5
134 x 98	117.8	81.0	MK12	61.3	161.5
134 x 100	117.8	83.0	P04 (404)	77.5	74.0
ROTO ECOLINE 90°			P06 (406)	77.5	94.0
Typ	Wymiary		P08 (408)	77.5	116.0
	A	B	P10 (410)	77.5	136.2
33 5/7	38.4	54.4	PK06	77.5	99.5
33 5/9	38.4	82.4	PK08	77.5	121.5
33 6/11	49.4	102.4	PK10	77.5	141.7
33 7/6	62.4	44.4	S06 (606)	97.3	94.0
33 7/9	62.4	82.4	S08 (608)	97.3	116.0
33 7/11	62.4	102.4	S10 (610)	97.3	136.2
33 7/14	62.4	124.4	S34	97.3	74.0
33 7/16	62.4	144.4	SK06	97.3	99.5
33 9/9	78.4	82.4	SK08	97.3	121.5
33 9/11	78.4	102.4	SK10	97.3	141.7
33 9/14	78.4	124.4	U08 (808)	117.3	116.0
33 9/16	78.4	144.4	U10 (810)	117.3	136.2
33 11/7	98.4	54.5	UK04	117.3	79.5
33 11/9	98.4	82.4	UK08	117.3	121.5
33 11/11	98.4	102.4	UK10	117.3	141.7
33 11/14	98.4	124.4	DAKSTRA 96°		
33 13/7	118.4	54.4	Typ	Wymiary	
33 13/9	118.4	82.4		A	B
33 13/14	118.4	124.4	C2A	38.2	59.8
ROTO ALPINE 100°			C4A	38.2	79.8
Typ	Wymiary		C6A	38.2	99.8
	A	B	F4A	49.2	79.8
5/7	39.7	63.6	F6A	49.2	99.8
5/9	39.7	83.6	M4A	61.2	79.8
5/11	39.7	103.6	M6A	61.2	99.8
6/9	50.7	83.6	M8A	61.2	121.8
6/11	50.7	103.6	M10A	61.2	141.8
6/14	50.7	125.6	P6A	77.2	169.8
7/9	59.7	83.6	P8A	77.2	121.8
7/11	59.7	103.6	S6A	97.2	99.8
7/14	59.7	125.6	S8A	97.2	121.8
9/9	79.7	83.6	U4A	117.2	79.8
9/11	79.7	103.6	U8A	117.2	121.8
9/14	79.7	125.6	OKPOL 96°		
11/7	99.7	83.6	Typ	Wymiary	
11/11	99.7	103.6		A	B
11/14	99.7	125.6	55 x 78	38.6	61.4
OPTILIGHT 102°			55 x 98	38.6	81.4
Typ	Wymiary		55 x 103	38.6	86.4
	A	B	64 x 98	47.6	81.4
55 x 78	38.8	61.0	64 x 103	47.6	86.4
55 x 98	38.8	81.0	64 x 117	47.6	100.0
66 x 118	49.8	101.0	64 x 118	47.6	100.4
78 x 98	61.8	81.0	66 x 98	49.4	81.0
78 x 118	61.8	101.0	66 x 118	49.4	100.4
78 x 140	61.8	123.0	66 x 140	49.4	123.4
114 x 118	97.8	101.0	78 x 98	61.6	81.4
134 x 98	117.8	81.0	78 x 103	61.6	86.4
			78 x 117	61.6	100.0
			78 x 118	61.6	100.4
			78 x 140	61.6	123.4
			78 x 160	61.6	143.4
			94 x 117	77.6	100.0
			94 x 118	77.6	100.4
			94 x 140	77.6	123.4
			94 x 160	77.6	143.4
			114 x 117	97.6	100.0
			114 x 118	97.6	100.4
			114 x 140	97.6	123.4

**1 DACHOWA**



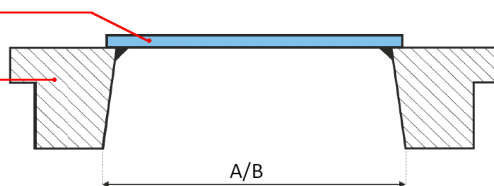
A = 0-100 cm 1x  
A = 100-120 cm 2x



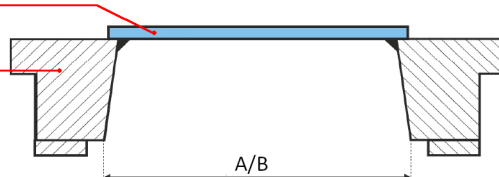
**A** - Szerokość plisy dachowej  
Width of roof pleat

**B** - Wysokość plisy dachowej  
Height of roof pleat

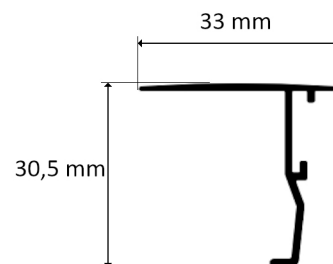
- 1 Szyba  
Glass
- 2 Rama Okienna  
Window frame



- 1 Szyba  
Glass
- 2 Rama Okienna  
Window frame



**Prowadnica plisy creati**



**Profil plisy creati L**

